



WATER PROOFING KIT

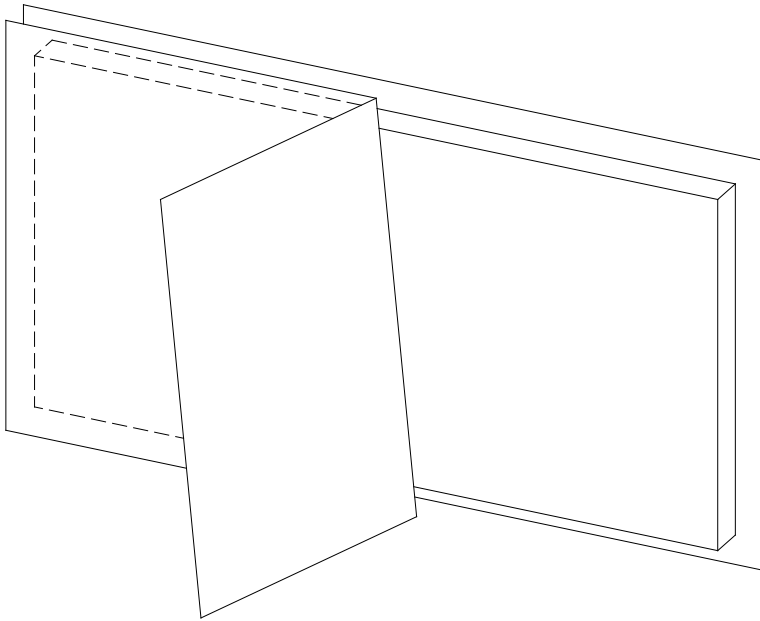
WK-1-KP

The WK-1-KP is provided to encase the Impulse suppressor and its connectors to prevent moisture penetration. The weather proofing material is a nonconductive, black, tacky, mastic, petroleum-based product that does not harden or crack and is reusable. It will withstand temperatures from -65 degrees to +180 degrees F. Its surface may be painted with either water-based latex or solvent-based paints. It is water impermeable (MIL-S-19653A) and its U.V. and salt spray resistance are exceptional. It is non-irritating to the skin and is hand applied.

The WK-1-KP contains one roll of tape, and one piece of weather proofing material measuring 2.5 x 6 x 1/8 inches that can be cut to smaller usable dimensions.

When applying the WK-1-KP, use one layer of tape to insulate the connectors from the weather proofing material. All exposed surfaces should be covered; especially the coax connections and the ground interface. Coat the taped area and exposed surfaces with the weather proofing material and finish with a second layer of tape.

The WK-1-KP may also be used to seal cable entrances if gaps are minimal.



WARNING- Do not connect during a storm! Do not connect when transmissions are occurring! Do not stay in an area that has operating equipment in an electrical storm!

These commodities or technology are exported from the U.S. in accordance with the Export Administration Regulations. Diversion contrary to U.S. law prohibited.