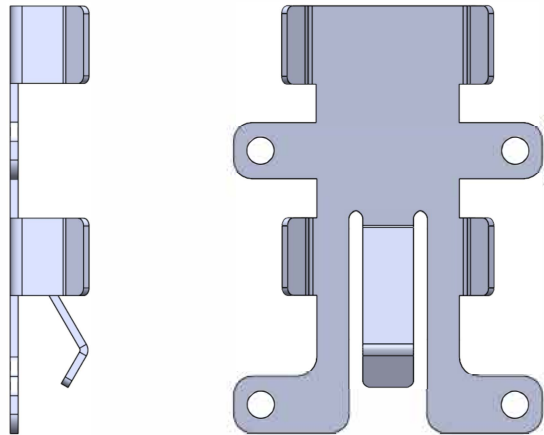


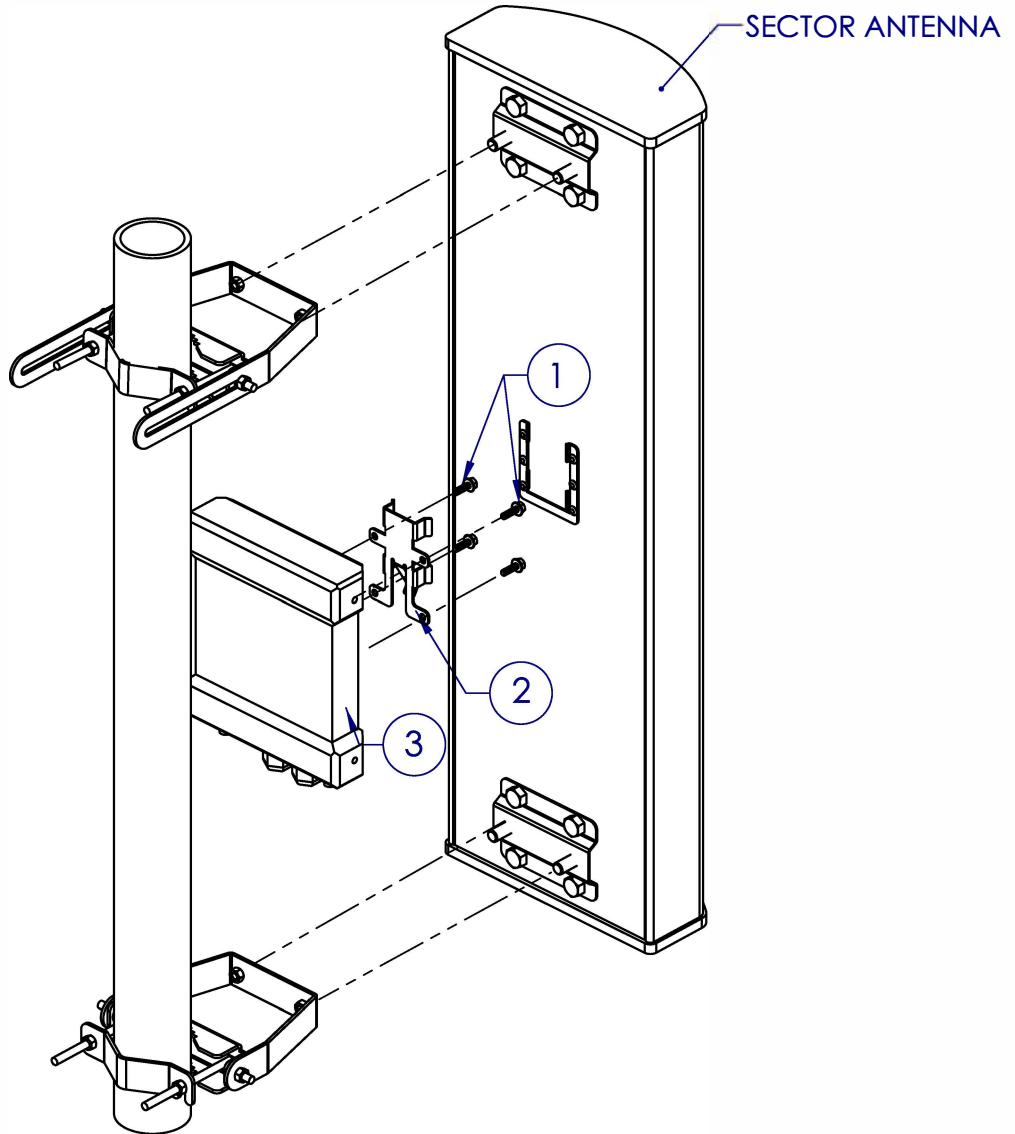
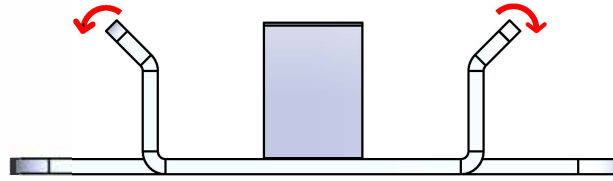
SECTOR ANTENNA & CAMBIUM PMP450 MOUNTING BRACKET DIAGRAM



KPPA-PMP450I-MNT



Bend tabs outwards to tighten the brackets in the U-shaped UBNT slot.



3	PMP450 RADIO	1
2	RADIO MOUNT BRACKET	1
1	M6 FLANGE BOLT	4
NO.	DESCRIPTION	QTY