

6

5

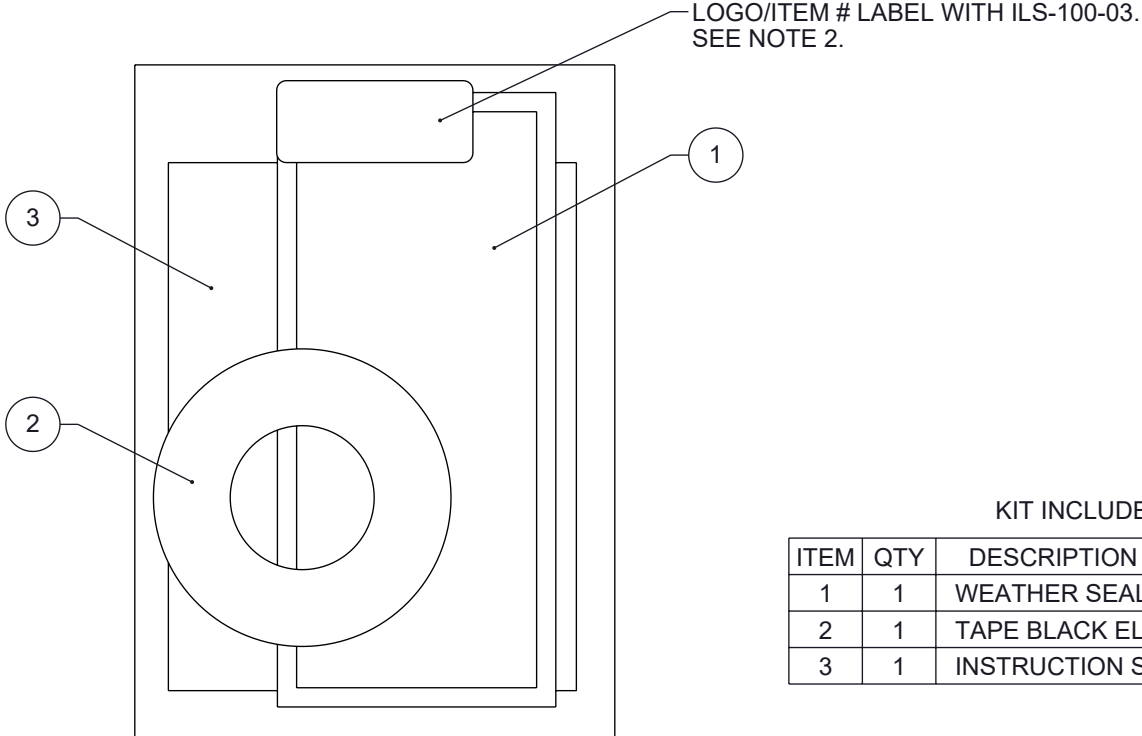
4

3

2

1

REVISION					
ZONE	REV.	DESCRIPTION	DATE	CHANGED BY	APPROVED BY
	A	INITIAL RELEASE	02/03/2023	HBAKKE	DREBECK



KIT INCLUDES:

ITEM	QTY	DESCRIPTION
1	1	WEATHER SEALANT 6x2.5
2	1	TAPE BLACK ELECTRICAL
3	1	INSTRUCTION SHEET WK-1-KP

- NOTES:
1. WEATHER SEALANT CAN BE IN THE FORM OF ROLL OR STRIP.
  2. SEE LABEL SPECIFICATION ILS-100. FOR INTERNAL REFERENCE ONLY.

<p>UNLESS OTHERWISE SPECIFIED LEADING DIMENSIONS ARE INCHES DIMENSIONS IN [ ] ARE MILLIMETERS</p> <p>TOLERANCES:</p> <table border="0"> <tr> <td>.X = ±.2 [ .5 ]</td> <td>FRACTIONS ± 1/32</td> </tr> <tr> <td>.XX = ±.02 [ .5 ]</td> <td>± 1/32</td> </tr> <tr> <td>.XXX = ±.005 [ .13 ]</td> <td>ANGLES ± 1°</td> </tr> </table> <p>CABLE LENGTH TOLERANCES:</p> <table border="0"> <tr> <td>&gt;12 [305] = +1 [25] / -0</td> </tr> <tr> <td>&gt;12 [305] ≤ 60 [1524] = +2 [51] / -0</td> </tr> <tr> <td>&gt;60 [1524] ≤ 120 [3048] = +4 [102] / -0</td> </tr> <tr> <td>&gt;120 [3048] ≤ 300 [7620] = +6 [152] / -0</td> </tr> <tr> <td>&gt;300 [7620] = +5% / -0</td> </tr> </table> <p>ALL DIMENSIONS ARE FOR REFERENCE ONLY AND SUBJECT TO CHANGE WITHOUT NOTICE.</p>	.X = ±.2 [ .5 ]	FRACTIONS ± 1/32	.XX = ±.02 [ .5 ]	± 1/32	.XXX = ±.005 [ .13 ]	ANGLES ± 1°	>12 [305] = +1 [25] / -0	>12 [305] ≤ 60 [1524] = +2 [51] / -0	>60 [1524] ≤ 120 [3048] = +4 [102] / -0	>120 [3048] ≤ 300 [7620] = +6 [152] / -0	>300 [7620] = +5% / -0	<p><b>PERFORMANCE ANTENNAS</b> an INFINITIB brand</p> <p>Website: <a href="http://www.KPPerformance.com">www.KPPerformance.com</a> Phone: 1.866.404.4859   1.780.702.7577</p>	<p>INTERPRET ALL DIMENSIONS AND TOLERANCES PER ASME Y14.5</p> <table border="1"> <tr> <td>SCALE</td> <td>SHEET</td> </tr> <tr> <td>NONE</td> <td>1 OF 1</td> </tr> </table>		SCALE	SHEET	NONE	1 OF 1
	.X = ±.2 [ .5 ]	FRACTIONS ± 1/32																
.XX = ±.02 [ .5 ]	± 1/32																	
.XXX = ±.005 [ .13 ]	ANGLES ± 1°																	
>12 [305] = +1 [25] / -0																		
>12 [305] ≤ 60 [1524] = +2 [51] / -0																		
>60 [1524] ≤ 120 [3048] = +4 [102] / -0																		
>120 [3048] ≤ 300 [7620] = +6 [152] / -0																		
>300 [7620] = +5% / -0																		
SCALE	SHEET																	
NONE	1 OF 1																	
<p>DESCRIPTION</p> <p><b>RF Connector Weatherproofing Kit, Water-Impermeable, Non-conductive</b></p>			<table border="1"> <tr> <td>SIZE</td> <td>CAGE CODE</td> <td>DRAWN BY</td> <td>ITEM NO.</td> <td>REV</td> </tr> <tr> <td>A</td> <td>LOND8</td> <td>HBAKKE</td> <td>WK-1-KP</td> <td>A</td> </tr> </table>	SIZE	CAGE CODE	DRAWN BY	ITEM NO.	REV	A	LOND8	HBAKKE	WK-1-KP	A					
SIZE	CAGE CODE	DRAWN BY	ITEM NO.	REV														
A	LOND8	HBAKKE	WK-1-KP	A														

THE INFORMATION CONTAINED IN THIS DRAWING IS THE SOLE PROPERTY OF INFINITE ELECTRONICS, INC. ANY REPRODUCTION IN PART OR WHOLE WITHOUT THE WRITTEN PERMISSION OF INFINITE ELECTRONICS, INC. IS PROHIBITED. THESE COMMODITIES, TECHNOLOGY OR SOFTWARE WERE EXPORTED FROM THE UNITED STATES IN ACCORDANCE WITH THE EXPORT ADMINISTRATION REGULATIONS. DIVERSION CONTRARY TO U.S. LAW PROHIBITED.

6

5

4

3

2

1