

5725 MHz to 5850 MHz Log Periodic Antenna, 16 dBi,  
High Gain, Type N Female Connector, V-pol

**KP-LP1011**



**Features**

- Frequency coverage for 5725 MHz to 5850 MHz
- Very High Gain 16 dBi Directional Antenna
- Each connector covers wide band of frequencies
- Easy Install universal mounting bracket provided
- Weatherproof ABS radome
- Pigtail – 9 inches
- N-Type Female connector

**Applications**

- Point-to-point, NB-IoT, IoT, M2M applications
- 5G / WLAN / Sub-6 GHz operation supported
- 5G Bands supported - n46, n47
- DAS (Distributed Antenna Systems)
- IEEE 802.11a / n / ac / ah / ax Wi-Fi applications
- Public safety, utilities, CCTV and local radio coverage
- Smart cities expansion for coverage and IOT / IIOT

**Description**

The KP-LP1011 from KP Performance Antennas is a high-performance log periodic antenna specifically designed to aesthetically pleasing design. The KP-LP1011 operate from 5725 to 5850 MHz for point-to-point applications, 5G, LTE, CMDA, LoRA, IoT, WIFI, where directivity and coverage are very important. The KP Performance Antennas KP-LP1011 has 16 dBi of gain which is ideal for boosting.

The KP Performance Antennas KP-LP1011 has Vertical polarization, 19 horizontal beamwidth, and 19 vertical beamwidth for point-to-point communication. The included mounting brackets allow for either vertical or horizontal mounting configurations with easy install instructions. Where there is weak coverage and needs to reach further distances, log periodic antennas are best. The directional KP-LP1011 antenna has 1 Type N Female connector on a 9 inches long pigtail.

KP Performance KP-LP1011 log periodic antenna operates in 5G bands n46, n47 with a 16 dBi max. This 5725 to 5850 MHz 5G directional log periodic antenna with Type N connector is in stock and ready to ship the same day. Our expert technical support and friendly, knowledgeable customer service personnel are available to assist you with your particular needs for high performance Log Periodic antenna engineered for superior performance antennas.

**Configuration**

Design	Log Periodic
Band Type	Single
Radiation Pattern	Directional
Polarization	Vertical
Cable Type	Coax Cable
Cable Length	9.1 in [231.14 mm]
Connector Type	N Female
Number of Ports	1

**Electrical Specifications**

Description	Minimum	Typical	Maximum	Units
Input VSWR			1.5:1	
Impedance		50		Ohms
Gain			16	dBi
Front to Back Ratio	18			dB
Horizontal Beamwidth			19	Degrees

Click the following link (or enter part number in "SEARCH" on website) to obtain additional part information including price, inventory and certifications:  
[5725 MHz to 5850 MHz Log Periodic Antenna, 16 dBi, High Gain, Type N Female Connector, V-pol KP-LP1011](#)

5725 MHz to 5850 MHz Log Periodic Antenna, 16 dBi,  
High Gain, Type N Female Connector, V-pol



## KP-LP1011

Vertical Beamwidth	19	Degrees
Input Power	100	Watts

### Specifications by Band

Description	Band 1	Band 2	Band 3	Band 4	Band 5	Units
Range	5.725 to 5.85					GHz
Gain	16					dBi
Horizontal HPBW	19					Degrees
Vertical HPBW	19					Degrees
Front to Back Ratio	18					dB
VSWR Max	1.5:1					
Maximum Input Power	100					Watts

### Mechanical Specifications

Radome Material	ABS
<b>Size</b>	
Length	20.5 in [520.7 mm]
Width	18.9 in [480.06 mm]
Height	11 in [279.4 mm]
Weight	1 lbs [453.59 g]

### Environmental Specifications

<b>Temperature</b>	
Operating Range	-40 to +65 deg C
Wind Survivability	130.5 MPH [210.02 KPH]
Wind Loading	23.5 lbs at 100 MPH 36.2 lbs at 125 MPH

### Plotted and Other Data

Notes:

Click the following link (or enter part number in "SEARCH" on website) to obtain additional part information including price, inventory and certifications:  
[5725 MHz to 5850 MHz Log Periodic Antenna, 16 dBi, High Gain, Type N Female Connector, V-pol KP-LP1011](#)

5725 MHz to 5850 MHz Log Periodic Antenna, 16 dBi,  
High Gain, Type N Female Connector, V-pol

**KP-LP1011**



## Appendix

**Electrical Downtilt:** Angle in the antenna's elevation pattern in which the maximum gain occurs.

**Gain:** Antenna's average gain.

**Front to Back Ratio @ 180°±30°:** Average difference between the antenna's maximum gain and the maximum gain in the antenna's back lobe over ±30° angles.

**Cross-polarization Ratio (dB):** Typical difference between the co-polarization and cross-polarization gain across the sector's 3 dB Beam Width.

Dedicated to serving the needs of the Wireless Internet Service Provider (WISP) market, KP Performance Antennas offers purpose built products that reliably perform in the field. KP Performance Antennas product line consists of Yagi, Grid, Omni, Dish and other style antennas that operate in the 900 MHz, 2.4 GHz, 3 GHz, and 5 GHz frequencies.

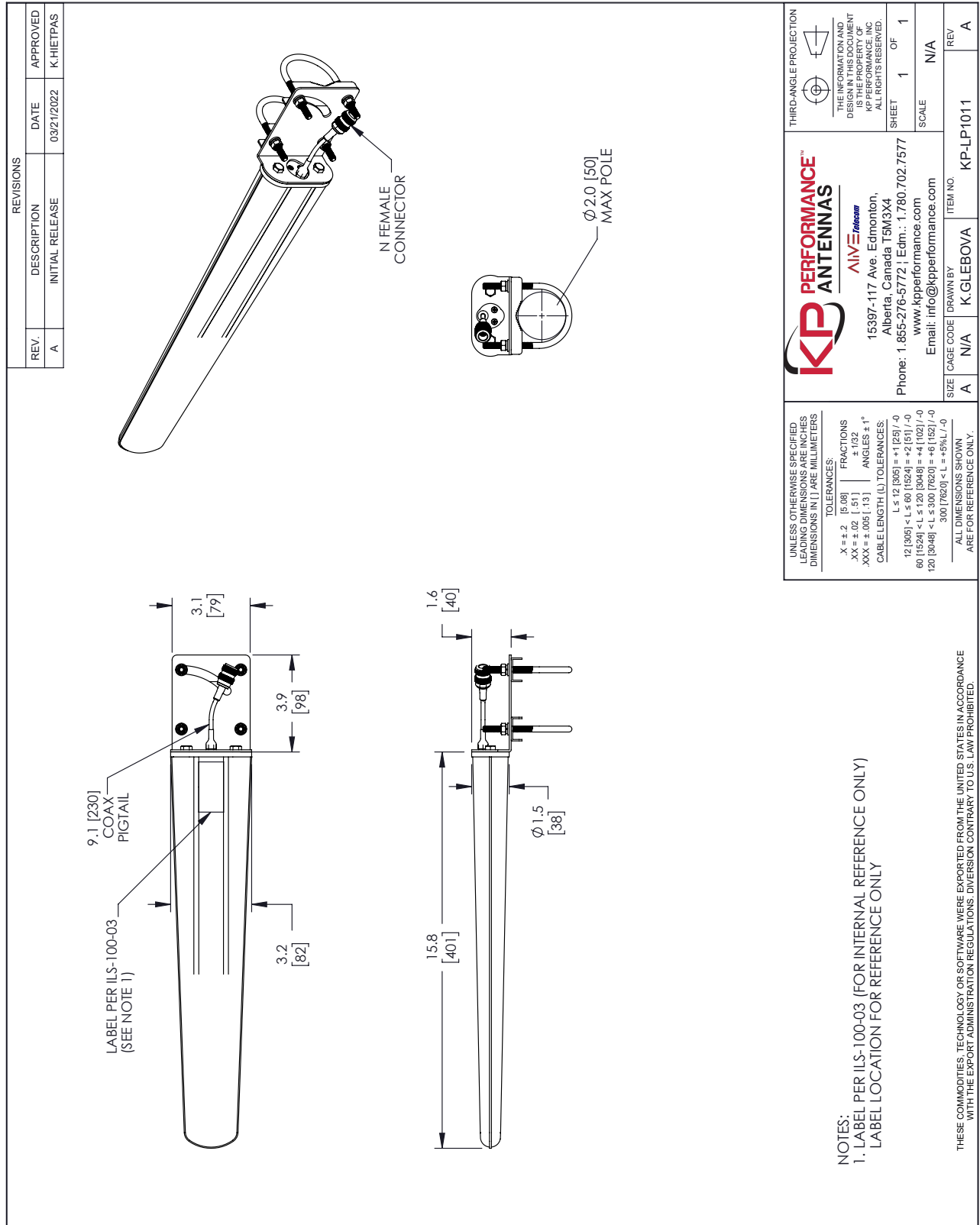
Click the following link (or enter part number in "SEARCH" on website) to obtain additional part information including price, inventory and certifications: [5725 MHz to 5850 MHz Log Periodic Antenna, 16 dBi, High Gain, Type N Female Connector, V-pol KP-LP1011](#)

URL: <https://www.kpperformance.com/No-URL-Convention-Found-for-?KP-LP1011-p.aspx>

The information contained within this document is accurate to the best of our knowledge and representative of the part described herein. It may be necessary to make modifications to the part and/or the documentation of the part in order to implement improvements. KP Performance reserves the right to make such changes as required. Unless otherwise stated, all specifications are nominal. KP Performance does not make any representation or warranty regarding the suitability of the part described herein for any particular purpose, and KP Performance does not assume liability arising out of the use of any part or document.

5725 MHz to 5850 MHz Log Periodic Antenna, 16 dBi, High Gain, Type N Female Connector, V-pol

KP-LP1011 CAD Drawing



**KP PERFORMANCE™**  
**ALIVE Telecom**  
 15397-117 Ave. Edmonton,  
 Alberta, Canada T5M3X4  
 Phone: 1.855-276-5772 | Edm.: 1.780.702.7577  
 www.kpperformance.com  
 Email: info@kpperformance.com

THIRD-ANGLE PROJECTION

THE INFORMATION AND DIMENSIONS SHOWN HEREIN IS THE PROPERTY OF KP PERFORMANCE, INC. ALL RIGHTS RESERVED.

SHEET 1 OF 1

SCALE N/A

ITEM NO. KP-LP1011

REV. A

UNLESS OTHERWISE SPECIFIED LEADING DIMENSIONS ARE INCHES DIMENSIONS IN [ ] ARE MILLIMETERS

TOLERANCES:  
 .X = ±.2 [5.08] FRACTIONS ± 1/32  
 .XX = ±.02 [ .51 ] ANGLES ± 1°  
 .XXX = ±.005 [ .13 ]

CABLE LENGTH (L) TOLERANCES:  
 L ≤ 12 [305] = ±1 [25] / -0  
 12 [305] < L ≤ 60 [1524] = +2 [51] / -0  
 60 [1524] < L ≤ 120 [3048] = +4 [102] / -0  
 120 [3048] < L ≤ 300 [7620] = +6 [152] / -0  
 300 [7620] < L = +5% / -0

ALL DIMENSIONS SHOWN ARE FOR REFERENCE ONLY.

NOTES:  
 1. LABEL PER ILS-100-03 (FOR INTERNAL REFERENCE ONLY)  
 LABEL LOCATION FOR REFERENCE ONLY

THESE COMMODITIES, TECHNOLOGY OR SOFTWARE WERE EXPORTED FROM THE UNITED STATES IN ACCORDANCE WITH THE EXPORT ADMINISTRATION REGULATIONS. DIVERSION CONTRARY TO U.S. LAW PROHIBITED.