

617 to 960 MHz + 1350 to 2700 MHz + 3300 to 3800 MHz + 4900 to 6000 MHz Low PIM HH-pol MIMO Omni Antenna, Low Profile, 2 x 4.3-10 Female

KP-600-DPCUPR-6-4F



Features

- Low Passive Intermodulation (PIM) <-153 dBc @ 2x20W
- Horizontal Polarization
- Low Profile 3/4" thick antenna
- Low return loss, stable performance
- 4.3-10 Female connector for long lasting consistent results
- Covers all sub 6 GHz 5G frequency bands including 600 MHz and extended CBRS

Applications

- Indoor distribution of 5G, LTE, GSM/CDMA
- In-building public or private networks
- LPWAN, LoRA, LTE-M, NB-IoT, IoT, M2M applications
- DAS (Distributed Antenna Systems)
- Discrete Ceiling Mounts

Description

The KP Performance KP-600-DPCUPR-6-4F is a low PIM rated, high performance MIMO ceiling mount omnidirectional antenna specifically designed for in-building wireless networks such as DAS (Distributed Antenna Systems). KP Performance's KP-600-DPCUPR-6-4F has 1.5 to 6 dBi gain and can be used to distribute Cellular and WiFi signals throughout a building or area.

The KP-600-DPCUPR-6-4F from KP Performance has omnidirectional patterns with 2xhorizontal polarization and features 4.3-10 connectors. The key to providing the best performance in telecommunications is to ensure the components used are low PIM rated. This helps meet the increasing demand for higher data rates and the ability to provide streaming video for mobile devices. With a low PIM rating of <-150 dBc, the 617-6000 MHz KP-600-DPCUPR-6-4F helps meets the most demanding PIM requirements for 5G and LTE/4G bands. The KP-600-DPCUPR-6-4F operates from 617 to 6000 MHz which is ideal for 5G, LTE, CDMA, LPWAN/IoT/M2M applications including LoRA, LTE-M, and NB-IOT. The Multi-Band design of the KP Performance KP-600-DPCUPR-6-4F antenna eliminates the need to purchase different antennas for each frequency. This simplifies installations since the same antenna can be used for a wide array of in-building wireless applications where wide coverage is desired.

The 4.3-10 connectorized KP-600-DPCUPR-6-4F antenna from KP Performance is designed specifically for in-building operation and is ideal for use in large open areas such as indoor courtyards, indoor sporting venues, convention centers and shopping malls. The included mounting bracket and hardware makes this antenna very easy to install. This 5G Cellular antenna just like our wide selection of superior quality RF parts, ship same day. Contact our knowledgeable and friendly technical support and sales staff for your answers on antennas or other KP Performance products.

Configuration

Design	Ceiling
Band Type	Wide
Radiation Pattern	Omni Directional
Polarization	Linear/Horizontal
Connector Type	4.3-10 Female
Interface 2	4.3-10 Female
Number of Ports	2

Electrical Specifications

Description	Minimum	Typical	Maximum	Units
Frequency Range	617		6,000	MHz
Input VSWR			1.8:1	

Click the following link (or enter part number in "SEARCH" on website) to obtain additional part information including price, inventory and certifications: [617 to 960 MHz + 1350 to 2700 MHz + 3300 to 3800 MHz + 4900 to 6000 MHz Low PIM HH-pol MIMO Omni Antenna, Low Profile, 2 x 4.3-10 Female](#)

617 to 960 MHz + 1350 to 2700 MHz + 3300 to 3800 MHz + 4900 to 6000 MHz Low PIM HH-pol MIMO Omni Antenna, Low Profile, 2 x 4.3-10 Female

KP-600-DPCUPR-6-4F



Impedance	50		Ohms
Gain	1.5	6	dBi
Input Power		50	Watts
Passive Intermodulation 3rd Order, 2 x 20 W	-153		

Specifications by Band

Description	Band 1	Band 2	Band 3	Band 4	Band 5	Units
Range	0.617 to 0.96	1.35 to 1.55	1.69 to 2.7	3.3 to 3.8	4.9 to 6	GHz
Gain	2.2	3.5	4.5	6	6	dBi
Port to Port Isolation	16	18	20	30	30	dB
VSWR Max	1.8:1	1.8:1	1.8:1	1.8:1	1.8:1	
Maximum Input Power	50	50	50	50	50	Watts

Mechanical Specifications

Radome Material	ABS
Size	
Length	10.47 in [265.94 mm]
Width	10.47 in [265.94 mm]
Height	0.71 in [18.03 mm]
Weight	1.1 lbs [498.95 g]

Environmental Specifications

Temperature	
Operating Range	-55 to +60 deg C
Humidity	< 95

Plotted and Other Data

Notes:

Click the following link (or enter part number in "SEARCH" on website) to obtain additional part information including price, inventory and certifications:
[617 to 960 MHz + 1350 to 2700 MHz + 3300 to 3800 MHz + 4900 to 6000 MHz Low PIM HH-pol MIMO Omni Antenna, Low Profile, 2 x 4.3-10 Female](#)

617 to 960 MHz + 1350 to 2700 MHz + 3300 to 3800 MHz + 4900 to 6000 MHz Low PIM HH-pol MIMO Omni Antenna, Low Profile, 2 x 4.3-10 Female

KP-600-DPCUPR-6-4F



Appendix

Electrical Downtilt: Angle in the antenna's elevation pattern in which the maximum gain occurs.

Gain: Antenna's average gain.

Front to Back Ratio @ 180°±30°: Average difference between the antenna's maximum gain and the maximum gain in the antenna's back lobe over ±30° angles.

Cross-polarization Ratio (dB): Typical difference between the co-polarization and cross-polarization gain across the sector's 3 dB Beam Width.

Dedicated to serving the needs of the Wireless Internet Service Provider (WISP) market, KP Performance Antennas offers purpose built products that reliably perform in the field. KP Performance Antennas product line consists of Yagi, Grid, Omni, Dish and other style antennas that operate in the 900 MHz, 2.4 GHz, 3 GHz, and 5 GHz frequencies.

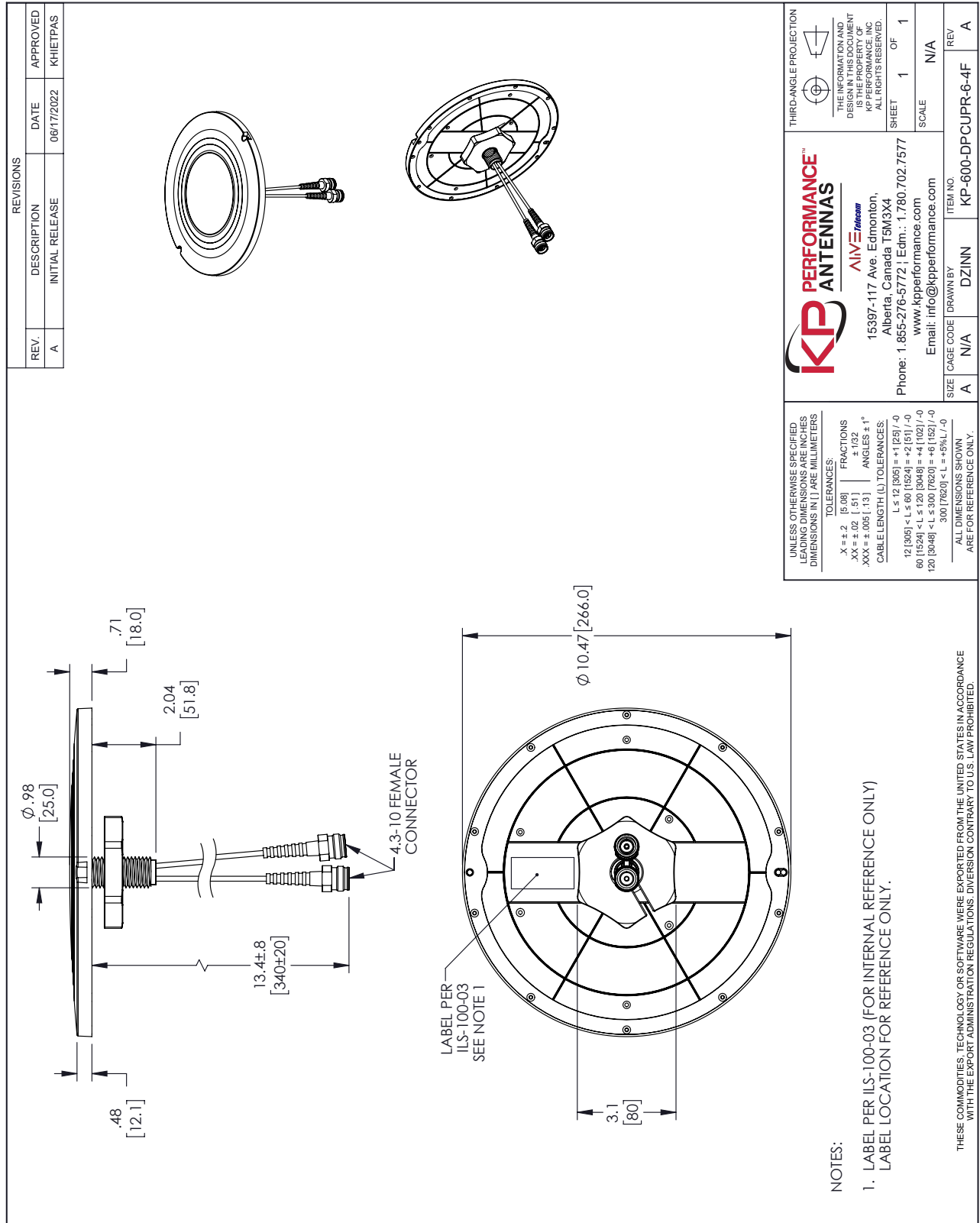
Click the following link (or enter part number in "SEARCH" on website) to obtain additional part information including price, inventory and certifications: [617 to 960 MHz + 1350 to 2700 MHz + 3300 to 3800 MHz + 4900 to 6000 MHz Low PIM HH-pol MIMO Omni Antenna, Low Profile, 2 x 4.3-10 Female KP-600-DPCUPR-6-4F](#)

URL:

The information contained within this document is accurate to the best of our knowledge and representative of the part described herein. It may be necessary to make modifications to the part and/or the documentation of the part in order to implement improvements. KP Performance reserves the right to make such changes as required. Unless otherwise stated, all specifications are nominal. KP Performance does not make any representation or warranty regarding the suitability of the part described herein for any particular purpose, and KP Performance does not assume liability arising out of the use of any part or document.

617 to 960 MHz + 1350 to 2700 MHz + 3300 to 3800 MHz + 4900 to 6000 MHz
 Low PIM HH-pol MIMO Omni Antenna, Low Profile, 2 x 4.3-10 Female

KP-600-DPCUPR-6-4F CAD Drawing



NOTES:
 1. LABEL PER ILS-100-03 (FOR INTERNAL REFERENCE ONLY)
 LABEL LOCATION FOR REFERENCE ONLY.

THESE COMMODITIES, TECHNOLOGY OR SOFTWARE WERE EXPORTED FROM THE UNITED STATES IN ACCORDANCE WITH THE EXPORT ADMINISTRATION REGULATIONS. DIVERSION CONTRARY TO U.S. LAW PROHIBITED.

T-Rev.D