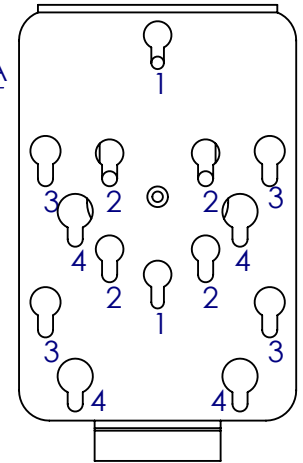
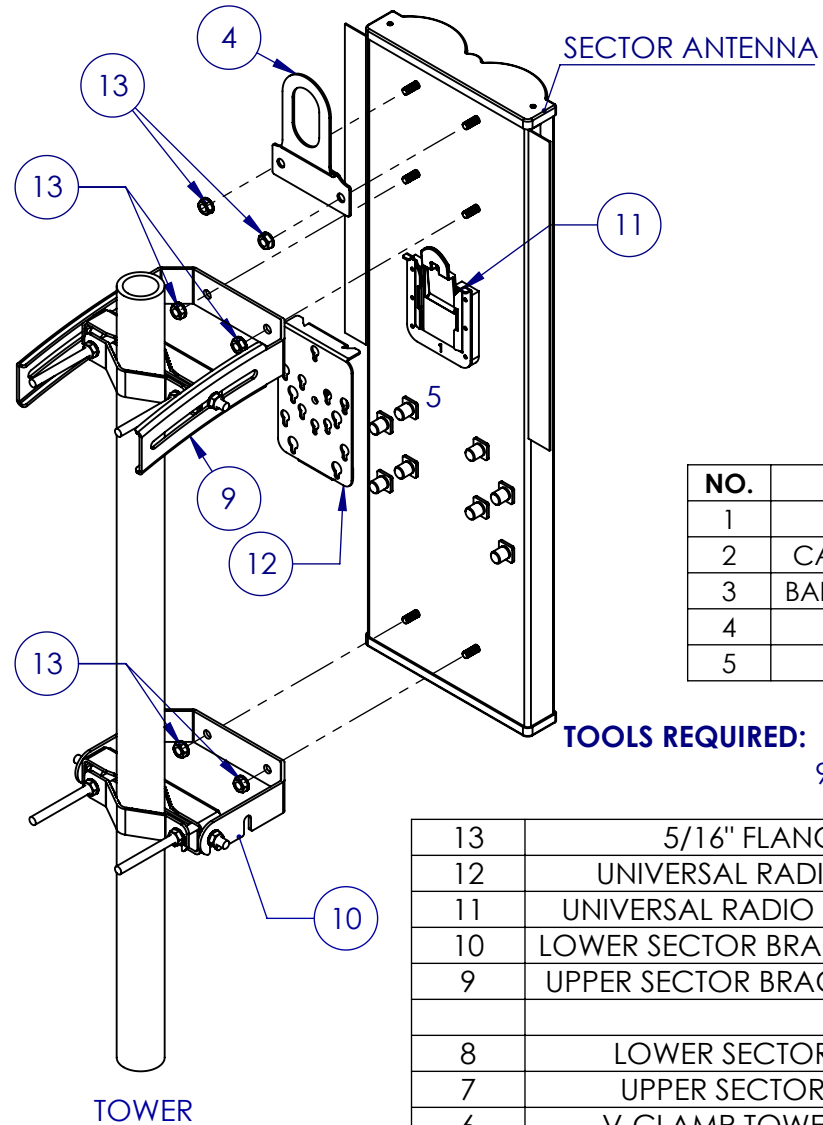
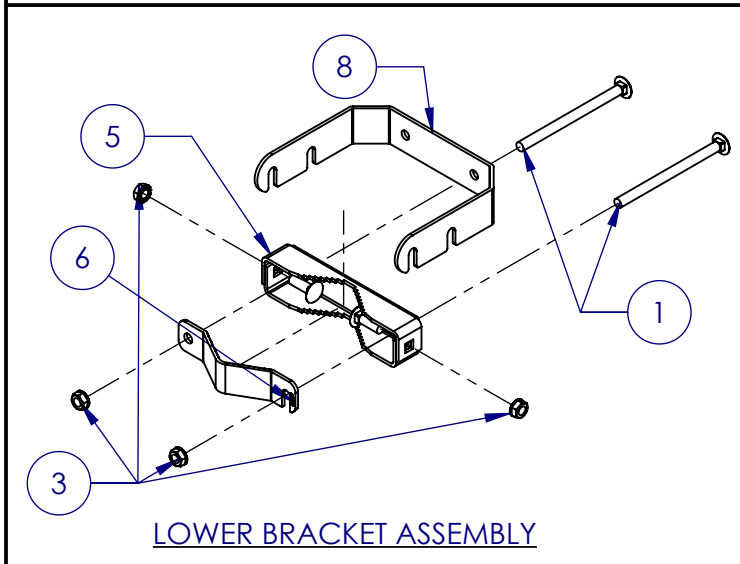
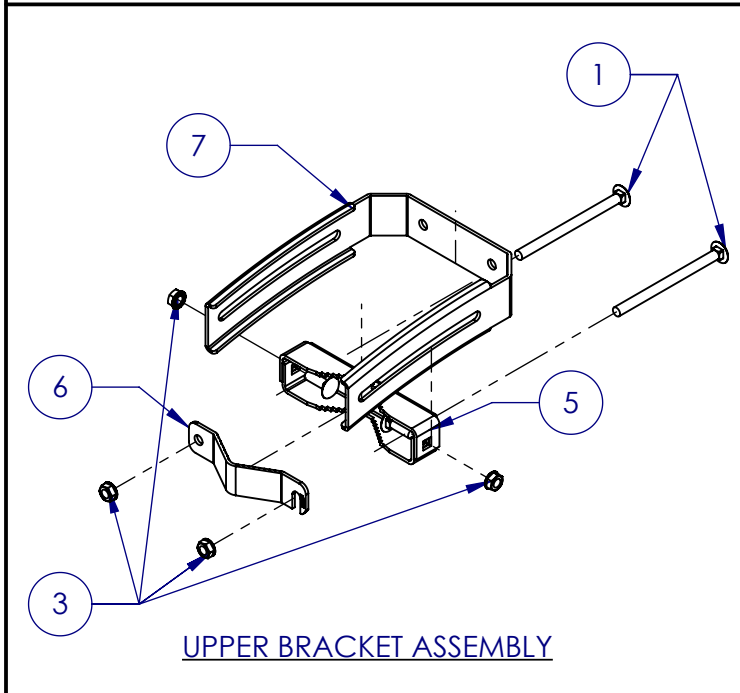


## SECTOR ANTENNA MOUNTING DIAGRAM



NO.	RADIO
1	MIMOSA A5C
2	CAMBIUM EPMP 1/2/3000
3	BAICELLS NOVA 233 GEN 2
4	CAMBIUM PMP450
5	UBIQUITI

**TOOLS REQUIRED:** 1/2" WRENCH/SOCKET  
9/16" WRENCH/SOCKET

13	5/16" FLANGE NUT	6
12	UNIVERSAL RADIO BRACKET	1
11	UNIVERSAL RADIO BRACKET CLIP	1
10	LOWER SECTOR BRACKET ASSEMBLY	1
9	UPPER SECTOR BRACKET ASSEMBLY	1
8	LOWER SECTOR BRACKET	1
7	UPPER SECTOR BRACKET	1
6	V-CLAMP TOWER BRACKET	2
5	C-CLAMP TOWER BRACKET	2
4	EYE HOOK	1
3	3/8" FLANGE NUT	8
2	3/8" X 25MM CARRIAGE BOLT	4
1	3/8" X 130MM CARRIAGE BOLT	4
NO.	DESCRIPTION	QTY

Go to  
[www.kpperformance.com](http://www.kpperformance.com)  
for more detailed  
installlation instructions.