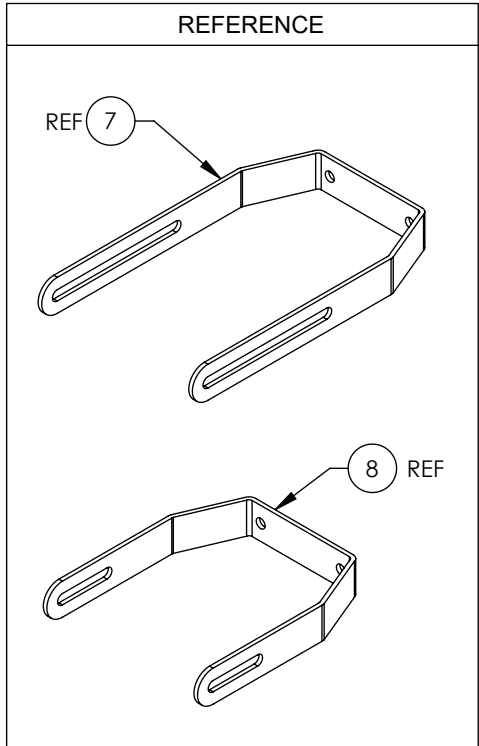
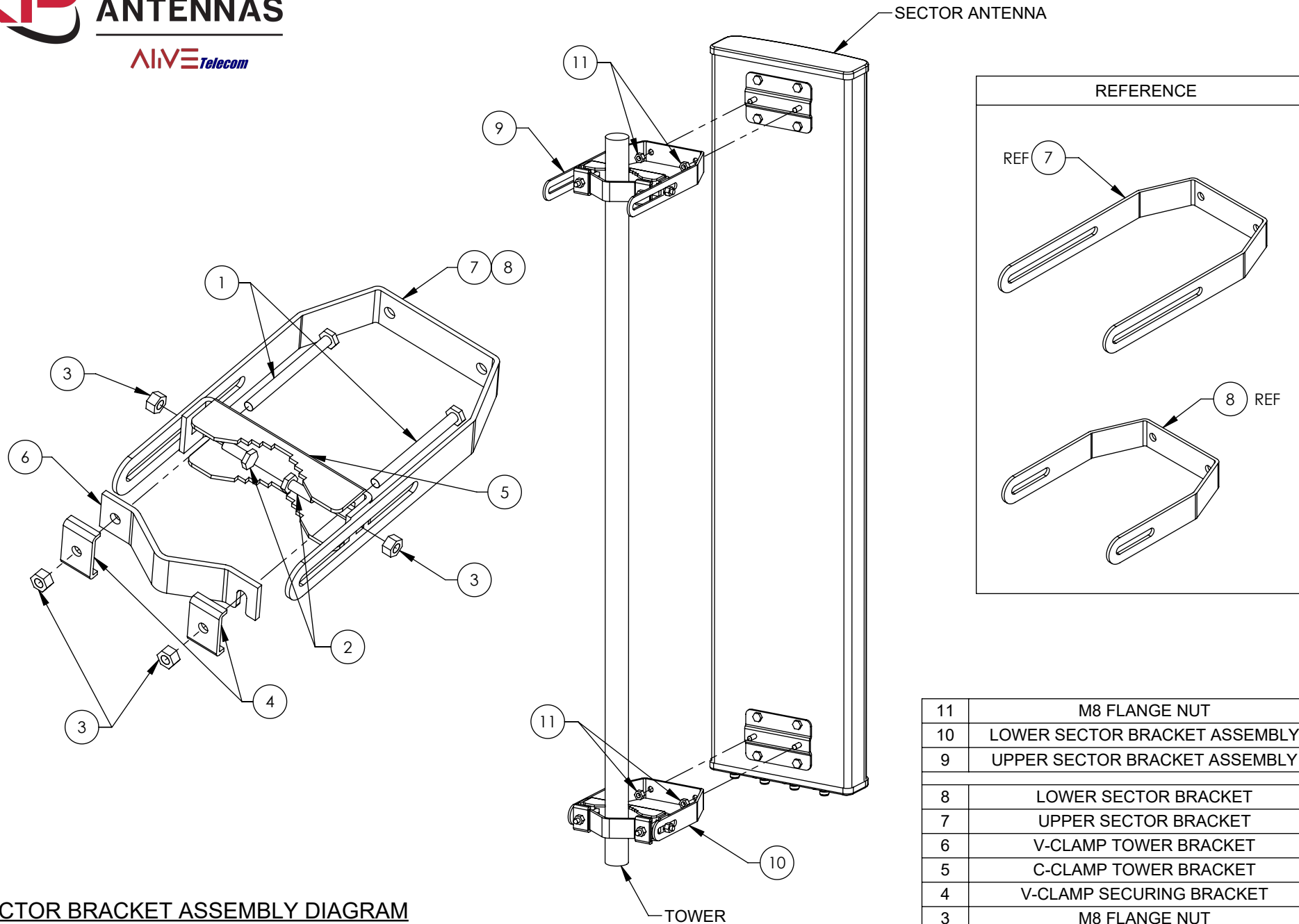


KP-35SX8-65 MOUNTING BRACKET DIAGRAM



11	M8 FLANGE NUT	4
10	LOWER SECTOR BRACKET ASSEMBLY	1
9	UPPER SECTOR BRACKET ASSEMBLY	1
8	LOWER SECTOR BRACKET	1
7	UPPER SECTOR BRACKET	1
6	V-CLAMP TOWER BRACKET	1
5	C-CLAMP TOWER BRACKET	1
4	V-CLAMP SECURING BRACKET	2
3	M8 FLANGE NUT	4
2	M8 X 25mm CARRIAGE BOLT	2
1	M8 X 125mm CARRIAGE BOLT	2
NO	DESCRIPTION	QTY

**SECTOR BRACKET ASSEMBLY DIAGRAM**  
 UPPER MOUNTING BRACKET (SHOWN) USE ITEM #7  
 LOWER MOUNTING BRACKET USE ITEM #8