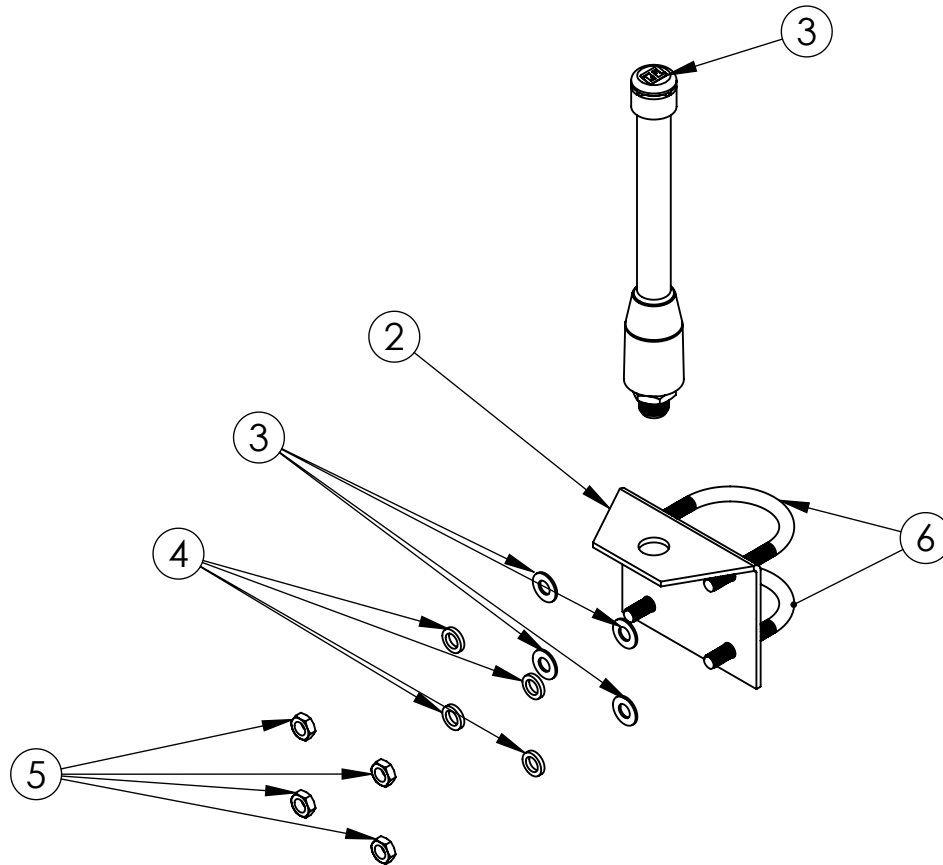


**SINGLE POL OMNI INSTALL SHEET**



NO.	DESCRIPTION	QTY.
1	OMNI	1
2	L-BRACKET	1
3	FLAT WASHER	4
4	LOCK WASHER	4
5	HEX NUT	4
6	U-BOLT	2