

2400-2500, 5150-7125 MHz Wi-Fi 6E Omni MIMO Antenna, 6 dBi Gain, 8 N Type Female Connectors

KPANOM1064



Features

- N Type Female Connector
- 8 x Vertical Polarization
- 8x8 MIMO Functionality
- Outdoor Rated Omnidirectional Antenna
- 2.4 GHz, 5 GHz, 6 GHz Wi-Fi Bands
- 6 dBi gain

Applications

- Infotainment systems, Routers, Wi-Fi hotspots, HD video transmission, Gateways, Dash cameras, Public transportation
- Connected cars or self-driving cars, Fleet management, Logistics
- Public Safety Networks
- Zigbee, Bluetooth, Wi-Fi

Description

The KPANOM1064 Wi-Fi 6e Omni Antenna from KP Performance is a high performance omnidirectional antenna designed for the 2400 MHz to 7125 MHz bands and is available to ship same day. It is a UV protected, outdoor rated antenna with omni-directional pattern. The KPANOM1064 is ideally suited for 802.11 protocols including 802.11ax as well as Zigbee, Bluetooth and is 8x8 MIMO capable.

The KP Performance high performance omni KPANOM1064 is a rugged antenna providing broad coverage, low latency, increased network capacity and 6 dBi gain. This 8 port N Female omnidirectional antenna is suitable for commercial radios and access points in public and private networks that are equipped with N Type connectors.

This Wi-Fi 6e KPANOM1064 omni antenna with 8 N Female connectors, as well as our wide selection of superior quality RF parts, ships same day. Contact our knowledgeable and friendly technical support and sales staff for your answers on antennas or other KP Performance products.

Configuration

Design	Omni
Application Band	Wi-Fi 6E
Band Type	Dual
Radiation Pattern	Omni Directional
Polarization	Vertical
Cable Type	RG58/U
Cable Length	36 in [914.4 mm]
Connector Type	N Female
Number of Ports	8

Electrical Specifications

Description	Minimum	Typical	Maximum	Units
Frequency Range	2,400		7,125	MHz
Input VSWR			2:1	
Impedance		50		Ohms
Input Power			50	Watts

Click the following link (or enter part number in "SEARCH" on website) to obtain additional part information including price, inventory and certifications: [2400-2500, 5150-7125 MHz Wi-Fi 6E Omni MIMO Antenna, 6 dBi Gain, 8 N Type Female Connectors KPANOM1064](#)

2400-2500, 5150-7125 MHz Wi-Fi 6E Omni MIMO Antenna, 6 dBi Gain, 8 N Type Female Connectors

KPANOM1064



Specifications by Band

Description	Band 1	Band 2	Band 3	Band 4	Band 5	Units
Range	2.4 to 2.5	5.15 to 7.125				GHz
Gain	6	6				dBi
Horizontal HPBW	360	360				Degrees
Vertical HPBW	45	30				Degrees

Mechanical Specifications

Radome Material	UV Resistant ABS
Size	
Length	6.7 in [170.18 mm]
Width	5.8 in [147.32 mm]
Height	5.8 in [147.32 mm]
Weight	4 lbs [1.81 kg]
Color	White

Environmental Specifications

Temperature	
Operating Range	-40 to +70 deg C
Wind Survivability	124 MPH [199.56 KPH]
Wind Loading	
Humidity	5 to 95

Plotted and Other Data

Notes:

Click the following link (or enter part number in "SEARCH" on website) to obtain additional part information including price, inventory and certifications:
[2400-2500, 5150-7125 MHz Wi-Fi 6E Omni MIMO Antenna, 6 dBi Gain, 8 N Type Female Connectors KPANOM1064](#)

2400-2500, 5150-7125 MHz Wi-Fi 6E Omni MIMO Antenna, 6 dBi Gain, 8 N Type Female Connectors

KPANOM1064



Appendix

Electrical Downtilt: Angle in the antenna's elevation pattern in which the maximum gain occurs.

Gain: Antenna's average gain.

Front to Back Ratio @ 180°±30°: Average difference between the antenna's maximum gain and the maximum gain in the antenna's back lobe over ±30° angles.

Cross-polarization Ratio (dB): Typical difference between the co-polarization and cross-polarization gain across the sector's 3 dB Beam Width.

Dedicated to serving the needs of the Wireless Internet Service Provider (WISP) market, KP Performance Antennas offers purpose built products that reliably perform in the field. KP Performance Antennas product line consists of Yagi, Grid, Omni, Dish and other style antennas that operate in the 900 MHz, 2.4 GHz, 3 GHz, and 5 GHz frequencies.

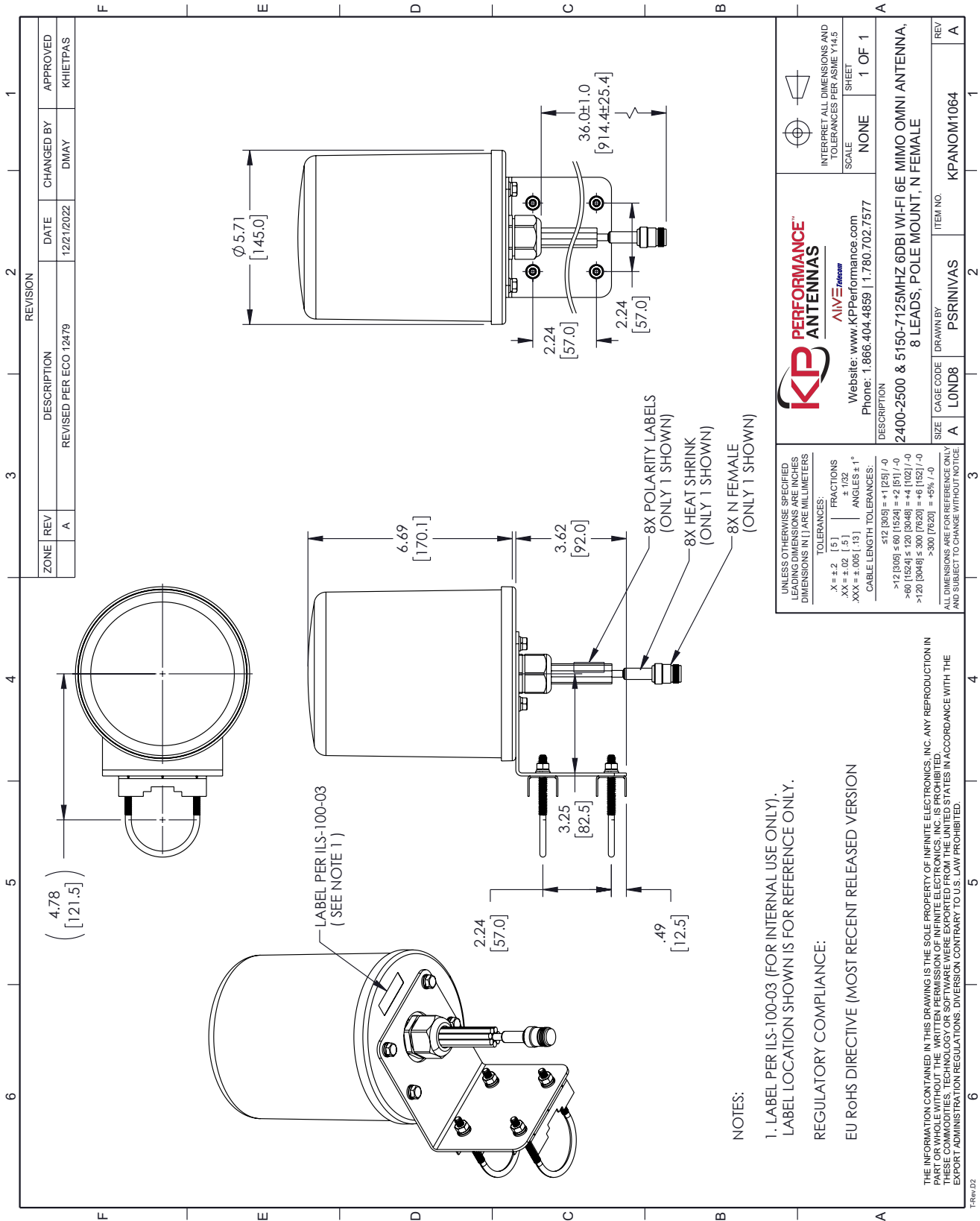
Click the following link (or enter part number in "SEARCH" on website) to obtain additional part information including price, inventory and certifications: [2400-2500, 5150-7125 MHz Wi-Fi 6E Omni MIMO Antenna, 6 dBi Gain, 8 N Type Female Connectors KPANOM1064](https://www.kpperformance.com/2400-2500-5150-7125-mhz-wf-fi-6e-omni-mimo-antenna-6-dbi-gain-8-n-type-female-connectors-kpanom1064)

URL: <https://www.kpperformance.com/2400-2500-5150-7125-mhz-wf-fi-6e-omni-mimo-antenna-6-dbi-gain-8-n-type-female-connectors-kpanom1064-p.aspx>

The information contained within this document is accurate to the best of our knowledge and representative of the part described herein. It may be necessary to make modifications to the part and/or the documentation of the part in order to implement improvements. KP Performance reserves the right to make such changes as required. Unless otherwise stated, all specifications are nominal. KP Performance does not make any representation or warranty regarding the suitability of the part described herein for any particular purpose, and KP Performance does not assume liability arising out of the use of any part or document.

2400-2500, 5150-7125 MHz Wi-Fi 6E Omni MIMO Antenna, 6 dBi Gain, 8 N Type Female Connectors

KPANOM1064 CAD Drawing



REVISION		DESCRIPTION	DATE	CHANGED BY	APPROVED
ZONE	REV	DESCRIPTION	DATE	CHANGED BY	APPROVED
	A	REVISED PER ECO-12479	12/21/2022	DMAY	KHIETPAS

KP PERFORMANCE ANTENNAS
 AIVE member
 Website: www.kpperformance.com
 Phone: 1.866.404.4859 | 1.780.702.7577

INTERPRET ALL DIMENSIONS AND TOLERANCES PER ASME Y14.5
 SCALE NONE
 SHEET 1 OF 1

DESCRIPTION
 2400-2500 & 5150-7125MHZ 6DBI WI-FI 6E MIMO OMNI ANTENNA,
 8 LEADS, POLE MOUNT, N FEMALE

SIZE	CAGE CODE	DRAWN BY	ITEM NO.
A	LOND8	PSRINIVAS	KPANOM1064

REV A

UNLESS OTHERWISE SPECIFIED LEADING DIMENSIONS ARE INCHES DIMENSIONS IN [] ARE MILLIMETERS

TOLERANCES:
 .X = ±.2 [5] FRACTIONS ± 1/32
 .XX = ±.02 [0.5] ANGLES ± 1°
 .XXX = ±.005 [0.13] CABLE LENGTH TOLERANCES:
 ≤12 [305] = +1 [25] / -0
 >12 [305] ≤ 60 [1524] = +2 [51] / -0
 >60 [1524] ≤ 120 [3048] = +4 [102] / -0
 >120 [3048] ≤ 300 [7620] = +6 [152] / -0
 >300 [7620] = +5% / -0

ALL DIMENSIONS ARE FOR REFERENCE ONLY AND SUBJECT TO CHANGE WITHOUT NOTICE.

NOTES:
 1. LABEL PER ILS-100-03 (FOR INTERNAL USE ONLY). LABEL LOCATION SHOWN IS FOR REFERENCE ONLY.
 REGULATORY COMPLIANCE:
 EU RoHS DIRECTIVE (MOST RECENT RELEASED VERSION)

THE INFORMATION CONTAINED IN THIS DRAWING IS THE SOLE PROPERTY OF INFINITE ELECTRONICS, INC. ANY REPRODUCTION IN PART OR WHOLE WITHOUT THE WRITTEN PERMISSION OF INFINITE ELECTRONICS, INC. IS PROHIBITED. THIS DRAWING IS THE PROPERTY OF INFINITE ELECTRONICS, INC. AND IS NOT TO BE REPRODUCED, COPIED, OR TRANSMITTED IN ANY FORM OR BY ANY MEANS, ELECTRONIC OR MECHANICAL, INCLUDING PHOTOCOPYING, RECORDING, OR BY ANY INFORMATION STORAGE AND RETRIEVAL SYSTEM, WITHOUT THE WRITTEN PERMISSION OF INFINITE ELECTRONICS, INC. EXPORT ADMINISTRATION REGULATIONS: DIVERSION CONTRARY TO U.S. LAW PROHIBITED.