

3300-4200 MHz, 17 dBi, Sector Panel Antenna, 45 Deg. Slant Polarized, 4 x N-Type Female Connectors

**KP-3SX4-90-V2**



**Features**

- 3300 MHz to 4200 MHz, 17 dBi gain
- 90 deg. beamwidth sector antenna
- 4 x N-type female connector
- Weather proof - UV resistant PVC radome
- Dual slant polarization (+/- 45 deg.)
- VSWR < 2:1
- 100 W max input power per port

**Applications**

- Long distance backhaul
- Point to point data links (PtP)
- Point to multi-point data links (PtMP)
- Standard C-band and extended C-band
- 5G bands - n77, n78
- MIMO capability
- CBRS and extended CBRS
- 3 GHz WISP and LTE network

**Description**

The KP Performance KP-3SX4-90-V2 4-port MIMO sector panel 5G antenna has a frequency range of 3300 – 4200 MHz. This N-Type female connector directional antenna supports the latest C bands and CBRS bands for 5G. This 17 dBi Omni 5G antenna includes a LMR200 cable type.

The KP-3SX4-90-V2 MIMO sector panel 5G antenna has 45 deg. slant polarization band. The N-type Omni 5G antenna is available in 90-degree horizontal and 6-degree vertical HPBW. This 4-port single band directional antenna is made-up of PVC radome material, and is DC grounded for lightning protection. The 3300 – 4200 MHz N-Type female connectorized C-band antenna has 50 Ohms impedance and 100 Watts maximum input power.

This KP-3SX4-90-V2 3300 – 4200 MHz gray C-band antenna has a mounting mast diameter ranging from 1.18 to 2.36 inches. This N-type directional antenna can operate at a temperature ranging from -40 to 60 °C. This 17 dBi Omni 5G antenna is suitable for use in the commercial, enterprise, C-Band, CBRS, and 5G bands in the telecom sector.

KP Performance has the largest in-stock selection of MIMO sector panel 5G antenna with the same-day shipment. Make your online purchase right now to take advantage of our same-day shipping. For further information on similar products, our expert technical support and knowledgeable sales team can help you get the perfect 3300 – 4200 MHz antenna for your requirements.

**Configuration**

Design	Panel
Application Band	MIMO
Band Type	Single
Radiation Pattern	Directional
Polarization	45 Deg. Slant
Connector Type	N Female
Interface 2	N Female
Interface 3	N Female
Interface 4	N Female
Number of Ports	4
Lightning Protection	DC Grounded

**Electrical Specifications**

Description	Minimum	Typical	Maximum	Units
-------------	---------	---------	---------	-------

Click the following link (or enter part number in "SEARCH" on website) to obtain additional part information including price, inventory and certifications: [3300-4200 MHz, 17 dBi, Sector Panel Antenna, 45 Deg. Slant Polarized, 4 x N-Type Female Connectors KP-3SX4-90-V2](#)

3300-4200 MHz, 17 dBi, Sector Panel Antenna, 45 Deg. Slant Polarized, 4 x N-Type Female Connectors



**KP-3SX4-90-V2**

Frequency Range	3,300	4,200	MHz
Input VSWR		2:1	
Impedance	50		Ohms
Gain	17		dBi
Front to Back Ratio	28		dB
Port to Port Isolation	28		dB
Horizontal (Azimuth) HPBW	90		Degrees
Vertical (Elevation) HPBW	6		Degrees
Input Power		100	Watts

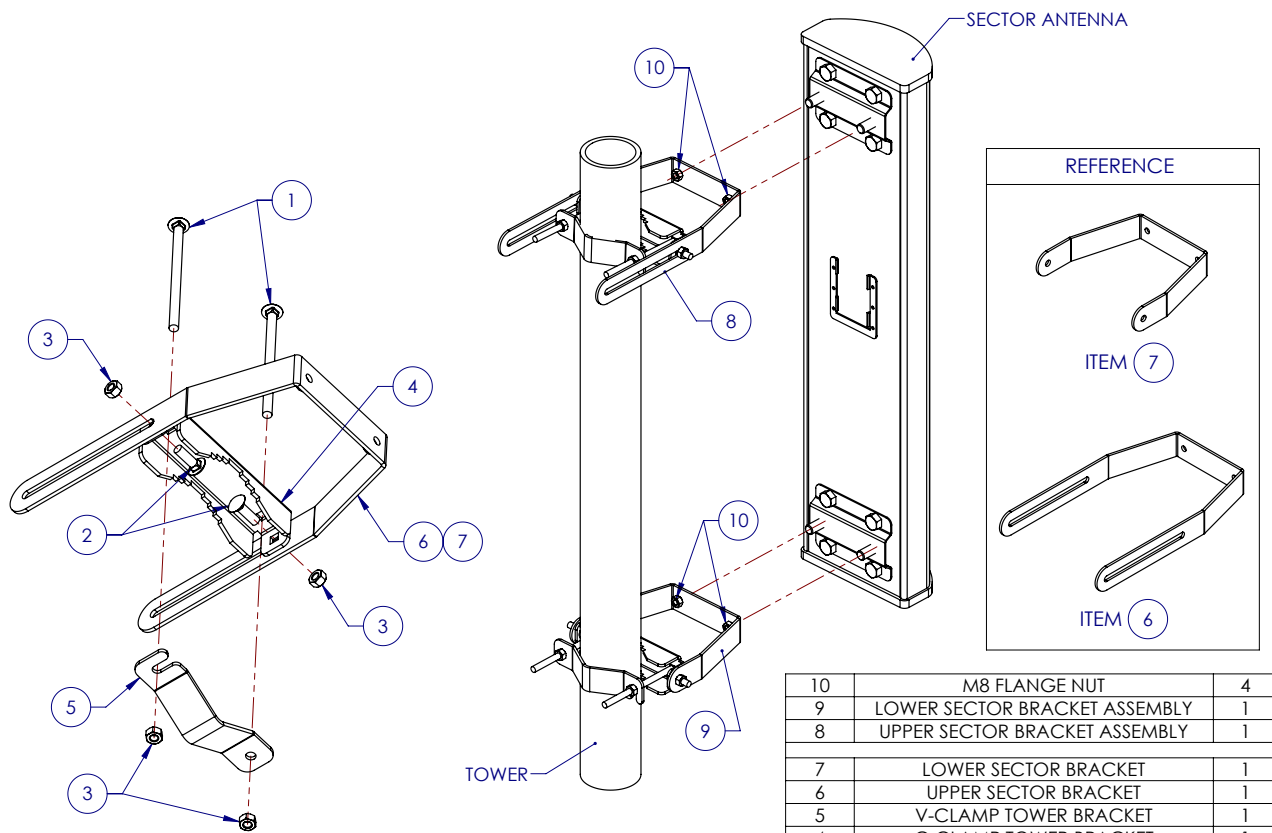
Click the following link (or enter part number in "SEARCH" on website) to obtain additional part information including price, inventory and certifications:  
[3300-4200 MHz, 17 dBi, Sector Panel Antenna, 45 Deg. Slant Polarized, 4 x N-Type Female Connectors KP-3SX4-90-V2](#)

3300-4200 MHz, 17 dBi, Sector Panel Antenna, 45 Deg. Slant Polarized, 4 x N-Type Female Connectors

**KP-3SX4-90-V2**



SECTOR ANTENNA MOUNTING BRACKET DIAGRAM



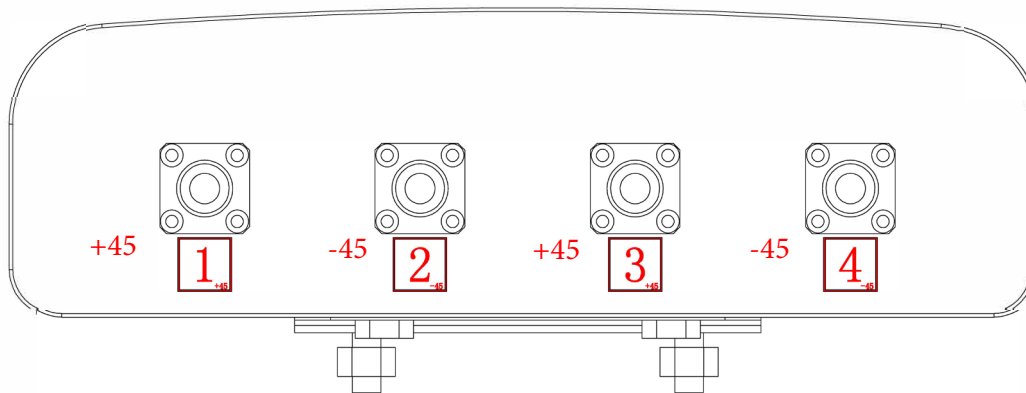
SECTOR BRACKET ASSEMBLY DIAGRAM  
UPPER MOUNTING BRACKET (SHOWN) USE ITEM 6  
LOWER MOUNTING BRACKET USE ITEM 7

10	M8 FLANGE NUT	4
9	LOWER SECTOR BRACKET ASSEMBLY	1
8	UPPER SECTOR BRACKET ASSEMBLY	1
7	LOWER SECTOR BRACKET	1
6	UPPER SECTOR BRACKET	1
5	V-CLAMP TOWER BRACKET	1
4	C-CLAMP TOWER BRACKET	1
3	M8 FLANGE NUT	4
2	M8 X 25 CARRIAGE BOLT	2
1	M8 X 125 CARRIAGE BOLT	2
<b>NO.</b>	<b>DESCRIPTION</b>	<b>QTY</b>

Click the following link (or enter part number in "SEARCH" on website) to obtain additional part information including price, inventory and certifications:  
[3300-4200 MHz, 17 dBi, Sector Panel Antenna, 45 Deg. Slant Polarized, 4 x N-Type Female Connectors KP-3SX4-90-V2](#)

3300-4200 MHz, 17 dBi, Sector Panel Antenna, 45 Deg. Slant Polarized, 4 x N-Type Female Connectors

**KP-3SX4-90-V2**



**Mechanical Specifications**

Radome Material	PVC
<b>Size</b>	
Length	31.69 in [804.93 mm]
Width	11.02 in [279.91 mm]
Height	3.15 in [80.01 mm]
Mounting Mast Diameter	1.18 to 2.36 in [29.97 to 59.94 mm]
Weight	17.9 lbs [8.12 kg]

Click the following link (or enter part number in "SEARCH" on website) to obtain additional part information including price, inventory and certifications:  
[3300-4200 MHz, 17 dBi, Sector Panel Antenna, 45 Deg. Slant Polarized, 4 x N-Type Female Connectors KP-3SX4-90-V2](#)

3300-4200 MHz, 17 dBi, Sector Panel Antenna, 45 Deg.  
Slant Polarized, 4 x N-Type Female Connectors

**KP-3SX4-90-V2**



**Environmental Specifications**

**Temperature**

Operating Range  
Wind Survivability  
Wind Loading

-40 to +60 deg C  
134 MPH [215.65 KPH]

**Plotted and Other Data**

Notes:

**Appendix**

**Electrical Downtilt:** Angle in the antenna's elevation pattern in which the maximum gain occurs.

**Gain:** Antenna's average gain.

**Front to Back Ratio @ 180°±30°:** Average difference between the antenna's maximum gain and the maximum gain in the antenna's back lobe over ±30° angles.

**Cross-polarization Ratio (dB):** Typical difference between the co-polarization and cross-polarization gain across the sector's 3 dB Beam Width.

Dedicated to serving the needs of the Wireless Internet Service Provider (WISP) market, KP Performance Antennas offers purpose built products that reliably perform in the field. KP Performance Antennas product line consists of Yagi, Grid, Omni, Dish and other style antennas that operate in the 900 MHz, 2.4 GHz, 3 GHz, and 5 GHz frequencies.

Click the following link (or enter part number in "SEARCH" on website) to obtain additional part information including price, inventory and certifications: [3300-4200 MHz, 17 dBi, Sector Panel Antenna, 45 Deg. Slant Polarized, 4 x N-Type Female Connectors KP-3SX4-90-V2](#)

URL: <https://www.kpperformance.com/3300-4200-mhz-17-dbi-sector-panel-antenna-45-deg.-slant-polarized-4-x-n-type-female-connectors-kp-3sx4-90-v2-p.aspx>

The information contained within this document is accurate to the best of our knowledge and representative of the part described herein. It may be necessary to make modifications to the part and/or the documentation of the part in order to implement improvements. KP Performance reserves the right to make such changes as required. Unless otherwise stated, all specifications are nominal. KP Performance does not make any representation or warranty regarding the suitability of the part described herein for any particular purpose, and KP Performance does not assume liability arising out of the use of any part or document.

3300-4200 MHz, 17 dBi, Sector Panel Antenna, 45 Deg. Slant Polarized, 4 x N-Type Female Connectors

KP-3SX4-90-V2 CAD Drawing

