

2300-2700 MHz 22 dBi Gain Mesh Parabolic 2x2 MIMO Dish Antenna - 2 x Type N Female Connector

KP-2DPG-2



Features

- Low Windload Mesh Design
- +/-45 Slant Polarization
- 22 dBi Gain
- 2x2 MIMO
- Type N Female Connector

Applications

- IEEE 802.11b/g/n wireless LAN, WiFi systems
- Long range directional applications
- 2.4 GHz ISM band
- Point to point and point to multi-point applications
- Wireless bridges and backhaul applications

Description

The KP Performance KP-2DPG-2 is a high performance WiFi Mesh Parabolic Dish antenna specifically designed for point to point communication. The KP-2DPG-2 operates from 2.3 to 2.7 GHz which is ideal for Industrial, Medical, Science or other unlicensed applications including IEEE 802.11b/g/n Wireless LAN, Wireless Bridge and Backhaul. KP Performance's KP-2DPG-2 has 20 to 21 dBi gain and can be used to broadcast 2.4 GHz WiFi or unlicensed signals. The Multipoint design of the KP Performance KP-2DPG-2 antenna enables 2x2 MIMO applications.

The Type N connectorized KP-2DPG-2 antenna from KP Performance is designed specifically for outdoor operation and is ideal for point to point use in large open areas such as base station installations or backhaul. The KP Performance KP-2DPG-2 has directional patterns with Dual Slant ($\pm 45^\circ$) polarization and features 2 x Type N Female connectors. The included mounting bracket and hardware makes this antenna very easy to install. This WiFi Mesh Parabolic Dish antenna just like our wide selection of superior quality RF parts, ship same day. Contact our knowledgeable and friendly technical support and sales staff for your answers on antennas or other KP Performance products."

Configuration

Design	Grid
Band Type	Single
Radiation Pattern	Directional
Polarization	H/V or 45 Deg. Slant
Connector Type	N Female
Lightning Protection	DC Ground

Electrical Specifications

Description	Minimum	Typical	Maximum	Units
Frequency Range	2,300		2,700	MHz
Input VSWR		2:1	2.5:1	
Impedance		50		Ohms
Gain		22		dBi
Gain			24	dBi
Gain Variation		± 2		dBi
Front to Back Ratio	30			dB
Horizontal (Azimuth) HPBW		11		Degrees

Click the following link (or enter part number in "SEARCH" on website) to obtain additional part information including price, inventory and certifications:
[2300-2700 MHz 22 dBi Gain Mesh Parabolic 2x2 MIMO Dish Antenna - 2 x Type N Female Connector KP-2DPG-2](#)

2300-2700 MHz 22 dBi Gain Mesh Parabolic 2x2 MIMO Dish Antenna - 2 x Type N Female Connector



KP-2DPG-2

Vertical (Elevation) HPBW	11	Degrees
Input Power	50	Watts

Mechanical Specifications

Size

Length	24 in [609.6 mm]
Width	24 in [609.6 mm]
Height	12 in [304.8 mm]
Mounting Mast Diameter	1.18 to 1.96 in [29.97 to 49.78 mm]
Weight	2.2 lbs [997.9 g]

Environmental Specifications

Temperature

Operating Range	-40 to +70 deg C
Mechanical Tilt	15 Degrees

Plotted and Other Data

Notes:

Click the following link (or enter part number in "SEARCH" on website) to obtain additional part information including price, inventory and certifications:
[2300-2700 MHz 22 dBi Gain Mesh Parabolic 2x2 MIMO Dish Antenna - 2 x Type N Female Connector KP-2DPG-2](#)

2300-2700 MHz 22 dBi Gain Mesh Parabolic 2x2 MIMO
Dish Antenna - 2 x Type N Female Connector

KP-2DPG-2



Appendix

Electrical Downtilt: Angle in the antenna's elevation pattern in which the maximum gain occurs.

Gain: Antenna's average gain.

Front to Back Ratio @ 180°±30°: Average difference between the antenna's maximum gain and the maximum gain in the antenna's back lobe over ±30° angles.

Cross-polarization Ratio (dB): Typical difference between the co-polarization and cross-polarization gain across the sector's 3 dB Beam Width.

Dedicated to serving the needs of the Wireless Internet Service Provider (WISP) market, KP Performance Antennas offers purpose built products that reliably perform in the field. KP Performance Antennas product line consists of Yagi, Grid, Omni, Dish and other style antennas that operate in the 900 MHz, 2.4 GHz, 3 GHz, and 5 GHz frequencies.

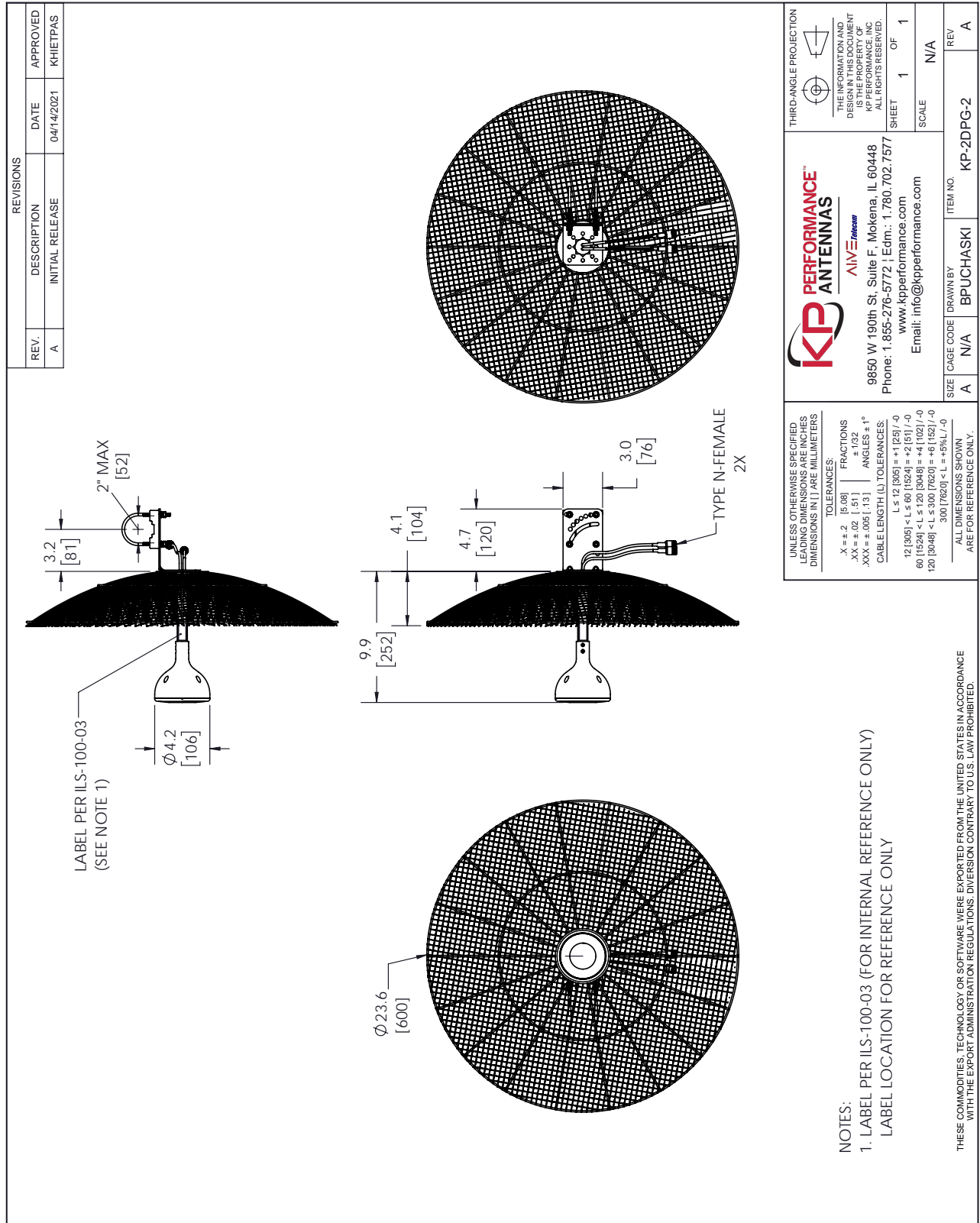
Click the following link (or enter part number in "SEARCH" on website) to obtain additional part information including price, inventory and certifications: [2300-2700 MHz 22 dBi Gain Mesh Parabolic 2x2 MIMO Dish Antenna - 2 x Type N Female Connector KP-2DPG-2](https://www.kpperformance.com/2300-2700-MHz-22-dBi-Gain-Mesh-Parabolic-2x2-MIMO-Dish-Antenna-2-x-Type-N-Female-Connector-KP-2DPG-2-p.aspx)

URL: <https://www.kpperformance.com/2300-2700-MHz-22-dBi-Gain-Mesh-Parabolic-2x2-MIMO-Dish-Antenna-2-x-Type-N-Female-Connector-KP-2DPG-2-p.aspx>

The information contained within this document is accurate to the best of our knowledge and representative of the part described herein. It may be necessary to make modifications to the part and/or the documentation of the part in order to implement improvements. KP Performance reserves the right to make such changes as required. Unless otherwise stated, all specifications are nominal. KP Performance does not make any representation or warranty regarding the suitability of the part described herein for any particular purpose, and KP Performance does not assume liability arising out of the use of any part or document.

2300-2700 MHz 22 dBi Gain Mesh Parabolic 2x2 MIMO Dish Antenna - 2 x Type N Female Connector

KP-2DPG-2 CAD Drawing



T-Rev.D