

Product Data Sheet

1-855-276-5772 or 780-702-7577
info@kpperformance.com
9850 W 190th St, Suite F, Mokena, IL 60448



KP-25DOMNI-HV

4-port dual-band OMNI antenna, 2300-2700 MHz / 5150-5850 MHz, High gain (12/12 dBi) and Horizontal/Vertical Polarization

- Two frequencies in a single radome enclosure with one mounting point
- Dualband 2x2 MIMO or 4x4 MIMO with carrier aggregation
- Highest gain dualband OMNI on the market

Electrical Specification

Frequency Band	MHz	2300—2700	5150—5850
Gain	dBi	12±0.5	12±0.5
Polarization		Horizontal/Vertical	Horizontal/Vertical
Horizontal HPBW	Degree	360	360
Vertical HPBW	Degree	7.3±0.5	7±0.8
Electrical Downtilt	Degree	2	1
Cross-polarization Ratio	dB	20	20
VSWR		1.7 typ 2 max	1.7 typ 2 max
Return Loss	dB	12 typ 10 max	12 typ 10 max
Port-to-Port Isolation	dB	30	30
Max. Input Power per Port	W	100	100
Impedance	Ohms	50	50

Mechanical Specifications

RF Connector Type	Type N Female
RF Connector Quantity	4
RF Connector Position	Bottom of radome
Electrical Grounding	RF connector grounded to reflector and mounting bracket
Radome Material	UV resistant PVC
Ingress Protection	IP55 rain and dust resistant
Operating Temperature	-40° to +65° C
Max. Wind Speed	210km/h 130mph

Bracket Specifications

Material Type	Power Coated Galvanized Steel
Mounting Type	Pipe Mount
Mounting pole diameter	40 mm – 60 mm 1.6 in – 2.4 in

OMNI Dimensions

Diameter	84mm 3.3 in
Length	1640 mm 64.6 in
Net Weight, with brackets	3.7 kg 8.1 lb

Product Data Sheet

☎ 1-855-276-5772 or 780-702-7577
 📧 info@kpperformance.com
 ✉ 9850 W 190th St, Suite F, Mokena, IL 60448

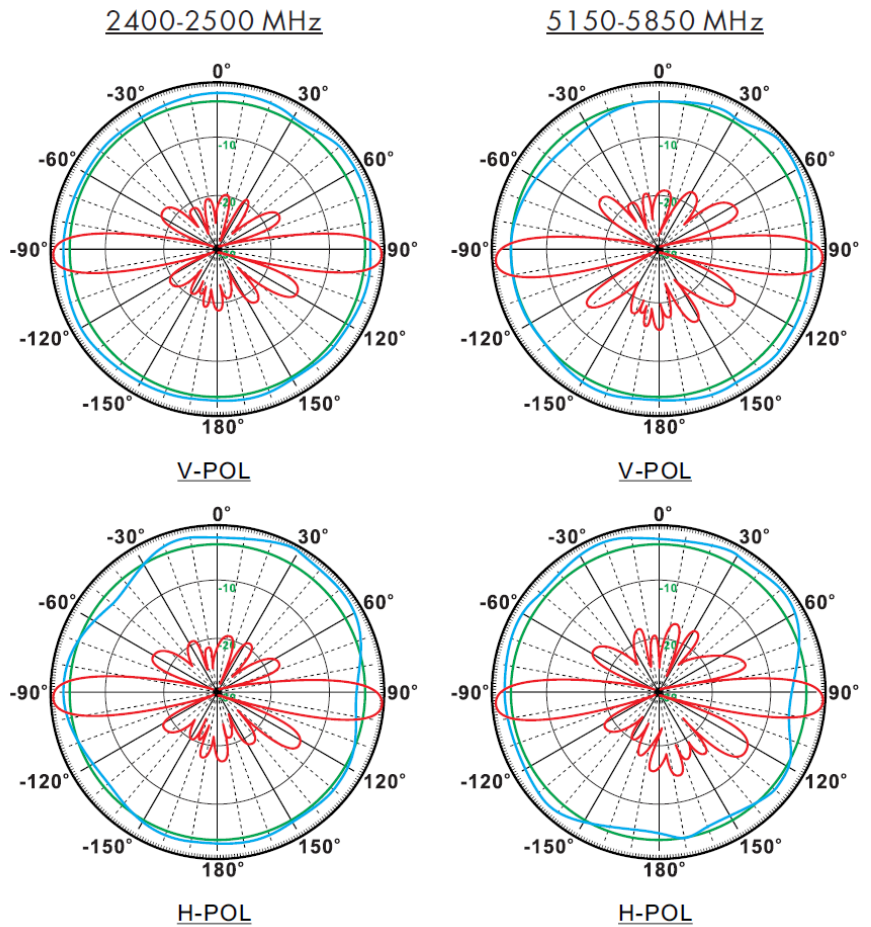
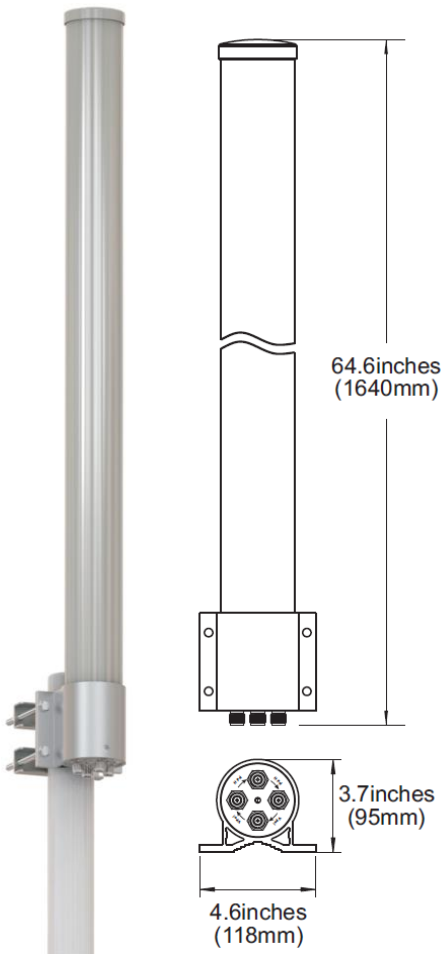


ALIVE Telecom

Package Dimensions

Length	1700 mm		66.9 in
Width	127 mm		5 in
Height	102 mm		4 in
Net Weight	4.13 kg		9.08 lb

Graphical Data



Appendix

HPBW: Average and variation of the antenna's 3dB beamwidth in its horizontal (Azimuth) or vertical (Elevation) pattern.

Electrical Downtilt: Angle in the antenna's elevation pattern in which the maximum gain occurs.

Gain: Antenna's average gain and variation in each frequency band.

Cross-polarization Ratio (dB): Maximum difference between the co-polarization and cross-polarization gain across the OMNI's 360deg azimuth pattern.